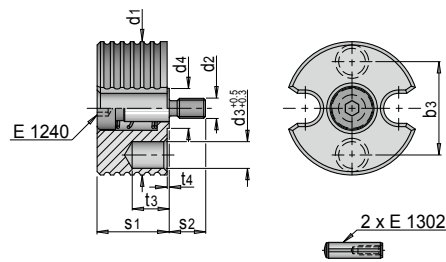


### PRODUCT DESCRIPTION

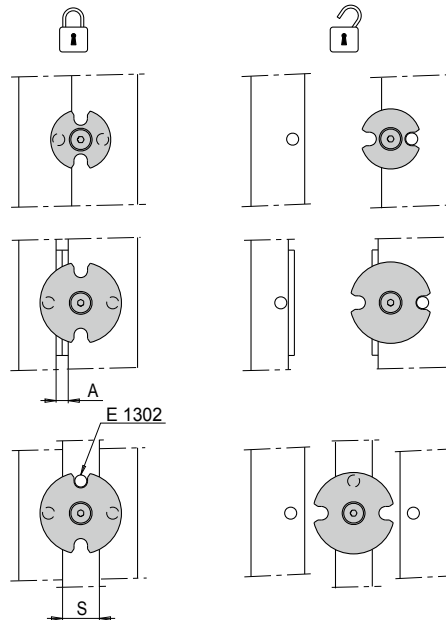
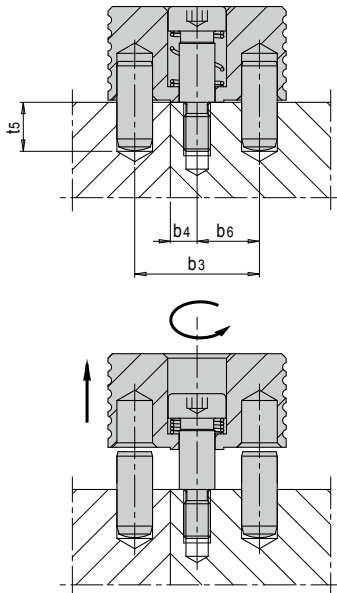
- » Captive transport lock for securing the mould halves at the split line face
- » Quick and easy closing and opening without disassembly
- » Can be operated without tools

### MATERIAL

- » 1.2312



t3	t4	d2	d3	d4	s1	s2	b3	d1	No.	EUR
10	0.5	M6	8	12	21.5	11	28	40	E 1936/ 40	<>
10	1	M6	8	14	21.5	11	48	60	E 1936/ 60	<>



d1	b3	b4	b6	t5	S	A max.
40	28	6	14	8	-	-
60	48	7	24	8	17-36	11