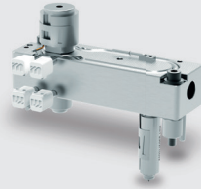
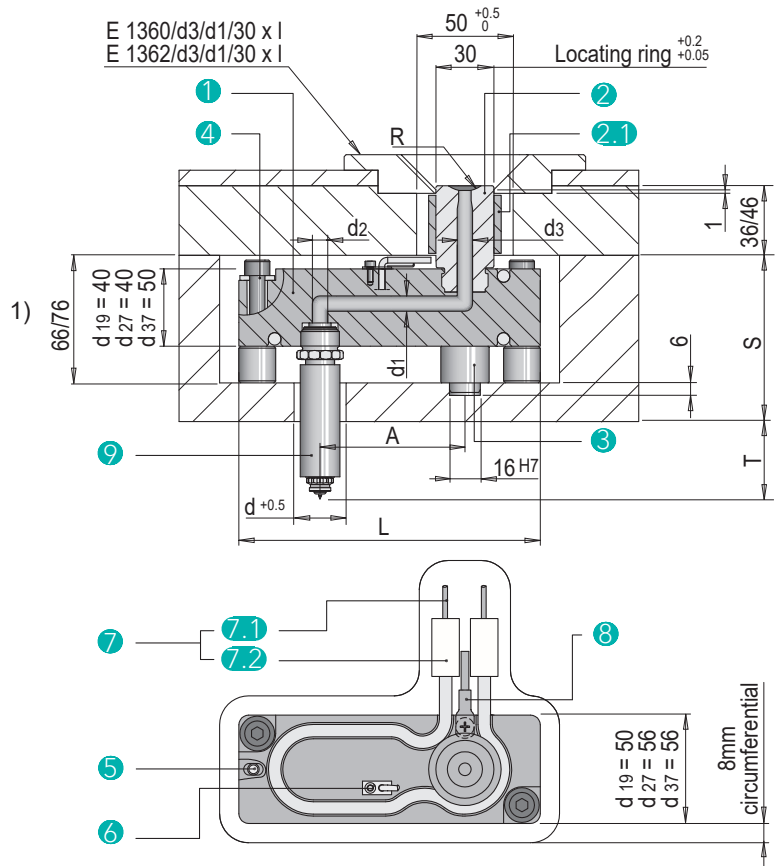


EH 6000 IMT1



Standardised Hot Runner Manifold screw-in type

- 1 Deflection manifold incl. heating
- 2 EH 6400 sprue bush incl. heating
- 2.1 Sprue bush heater EH 5020
- 3 EH 6200 centering piece
- 4 EH 6214 titanium spacer and screw set
- 5 Anti-rotation pin E 1300
- 6 EH 52001 90° bent thermocouple
- 7 EH 5220 pipe heater connection set
- 7.1 Connecting cable
- 7.2 Connector clamp
- 8 Grounding cable EH 5230
- 9 EH 4100 hot runner nozzle

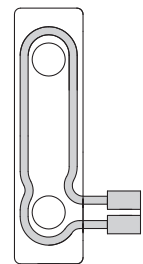


Note: the hole patterns A are based on the mould dimensions.
The linear expansion is calculated by Meusburger.

1) Plate thickness depends on hot runner manifold height

Item	d	L	A (min.-max.)	d1	d2	d3	R	S min.	S max.	T min.	T max.	CP ²⁾	Power total watts	Manifold heater item no.	Type
EH 6000 IMT1/19/...	19	143.5	37.5 - 43.75	5	5	6	0 / 15.5 / 40	86	116	15	160	1	230V / 900W	2 x EH 5030/6,5 x 300/ 450W	
			43.76 - 56.25										230V / 1000W	2x EH 5030/6,5 x 325/ 500W	
			56.26 - 68.75										230V / 1100W	2x EH 5030/6,5 x 350/ 550W	
	156	68.76 - 81.25	230V / 1200W	2x EH 5030/6,5 x 375/ 600W											
	168.5	81.26 - 93.75	230V / 1300W	2x EH 5030/6,5 x 400/ 650W											
	181	93.76 - 106.25	230V / 1400W	2x EH 5030/6,5 x 425/ 700W											
	193.5	106.26 - 118.75	230V / 1500W	2x EH 5030/6,5 x 450/ 750W											
	206	118.76 - 131.25	230V / 1600W	2x EH 5030/6,5 x 475/ 800W											
	218.5	131.26 - 143.75	230V / 1700W	2x EH 5030/6,5 x 500/ 850W											
	231	143.76 - 156.25	230V / 1800W	2x EH 5030/6,5 x 525/ 900W											
	243.5	156.26 - 168.75	230V / 1900W	2x EH 5030/6,5 x 550/ 950W											
	256	168.76 - 181.25	230V / 1950W	2x EH 5030/6,5 x 575/ 975W											
	268.5	181.26 - 193.75													
	281	193.76 - 206.25													

Item	d	L	A (min.-max.)	d1	d2	d3	R	S min.	S max.	T min.	T max.	CP ²⁾	Power total watts	Manifold heater item no.	Type
EH 6000/IMT1/27..	27	143.5	37.5 - 43.75	8	8	8	0/15.5/40	86	116	15	160	1	230V / 900W	2x EH 5030/6,5 x 300/ 450W	
			43.76 - 56.25												
			56.26 - 68.75												
	156	68.76 - 81.25	230V / 1000W	2x EH 5030/6,5 x 325/ 500W											
	168.5	81.26 - 93.75	230V / 1100W	2x EH 5030/6,5 x 350/ 550W											
	181	93.76 - 106.25	230V / 1200W	2x EH 5030/6,5 x 375/ 600W											
	193.5	106.26 - 118.75	230V / 1300W	2x EH 5030/6,5 x 400/ 650W											
	206	118.76 - 131.25	230V / 1400W	2x EH 5030/6,5 x 425/ 700W											
	218.5	131.26 - 143.75	230V / 1500W	2x EH 5030/6,5 x 450/ 750W											
	231	143.76 - 156.25	230V / 1600W	2x EH 5030/6,5 x 475/ 800W											
	243.5	156.26 - 168.75	230V / 1700W	2x EH 5030/6,5 x 500/ 850W											
	256	168.76 - 181.25	230V / 1800W	2x EH 5030/6,5 x 525/ 900W											
	268.5	181.26 - 193.75	230V / 1900W	2x EH 5030/6,5 x 550/ 950W											
	281	193.76 - 206.25	230V / 1950W	2x EH 5030/6,5 x 575/ 975W											
	EH 6000/IMT1/37..	37	144	37.5 - 43.75	12	12	12	0/15.5/40	86	116	15	160	1	230V / 900W	
43.76 - 56.25															
56.26 - 68.75															
153		68.76 - 81.25	230V / 1000W	2x EH 5030/6,5 x 325/ 500W											
166		81.26 - 93.75	230V / 1100W	2x EH 5030/6,5 x 350/ 550W											
178		93.76 - 106.25	230V / 1200W	2x EH 5030/6,5 x 375/ 600W											
191		106.26 - 118.75	230V / 1300W	2x EH 5030/6,5 x 400/ 650W											
203		118.76 - 131.25	230V / 1400W	2x EH 5030/6,5 x 425/ 700W											
216		131.26 - 143.75	230V / 1500W	2x EH 5030/6,5 x 450/ 750W											
228		143.76 - 156.25	230V / 1600W	2x EH 5030/6,5 x 475/ 800W											
241		156.26 - 168.75	230V / 1700W	2x EH 5030/6,5 x 500/ 850W											
253		168.76 - 181.25	230V / 1800W	2x EH 5030/6,5 x 525/ 900W											
266		181.26 - 193.75	230V / 1900W	2x EH 5030/6,5 x 550/ 950W											
278		193.76 - 206.25	230V / 1950W	2x EH 5030/6,5 x 575/ 975W											



2) CP: Control points of hot runner manifold

 **Configurator for hot runner moulds:**
ecom.meusburger/fh_menu