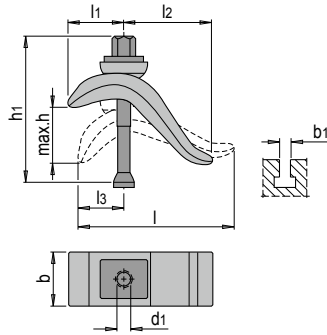


PRODUCT DESCRIPTION

- » Designed for highest load: made from forged and tempered steel
- » Enables quick, space-saving bridging of different clamping heights, without having to use shims on the machine tables
- » Particularly suitable for the clamping of cutting and stamping dies



b	l	l2	l3	l1	h max.	d1	b1	h1	No.	EUR
50	140	60	30	55	50	M12	12	125	HWS 110/12/12/125	<>
50	140	60	30	55	50	M12	14	125	HWS 110/12/14/125	<>
50	140	60	30	55	75	M16	16	160	HWS 110/16/16/160	<>
50	140	60	30	55	75	M16	18	160	HWS 110/16/18/160	<>